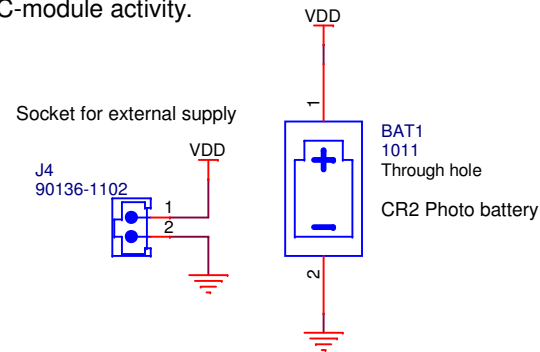


2.0V to 3.6V required for combination of HTU21D and NCxxxx module. Calculate voltage drop caused by battery internal resistance during NC-module activity.



neo.cortec			NEOCORTEC A/S Nannasgade 28,2. sal 2200 Copenhagen N Danmark http://neocortec.com
Title NC1000-HTU21D demonstration module			
Size A4	Variant HTU21D		Rev. 01
File: HTU21NCxxxx.DSN			
Date: Monday, October 10, 2016	Init: NHA	Sheet 1 of 1	